



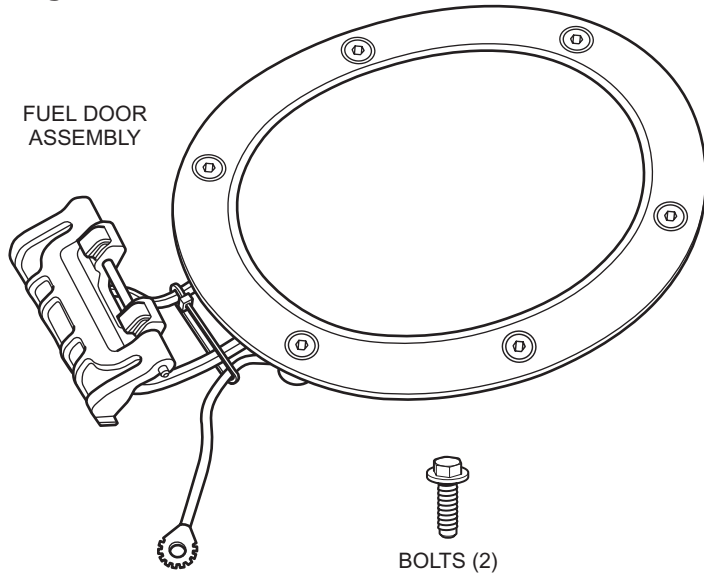
Genuine Accessories Installation Instructions

Part Number:
0000-8R-K01 (Pearl)
0000-8R-K03 (Chrome)

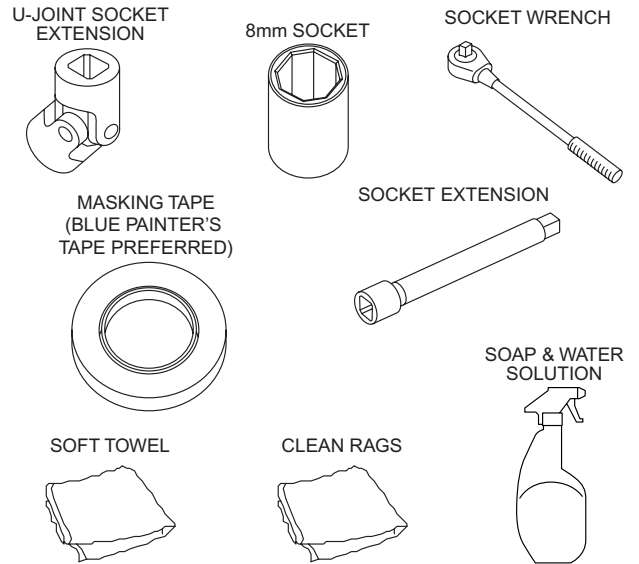
Fuel Door

Applicable Models:
2004>RX8

Package Contents



Tools Required



0 Before Installation

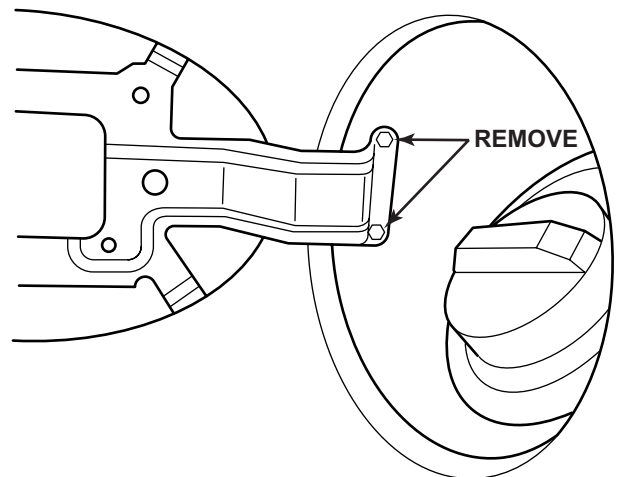
1. Read entire instructions before proceeding.
2. Be careful not to scratch the car's paint while installing the fuel door.

1 Removal of OEM Filler Neck

1. Place a strip of masking tape around the outside of the fuel door opening to protect the painted surface.
2. Open the OEM fuel door and remove the gas cap.
3. Place a clean rag in the gas filler neck to prevent any debris or the bolts from falling down the filler pipe.
4. Using a 8mm socket, wrench and extension, remove the (3) screws that hold the collar surrounding the filler neck. Remove collar and connecting gas cap. Set aside for re-installation.

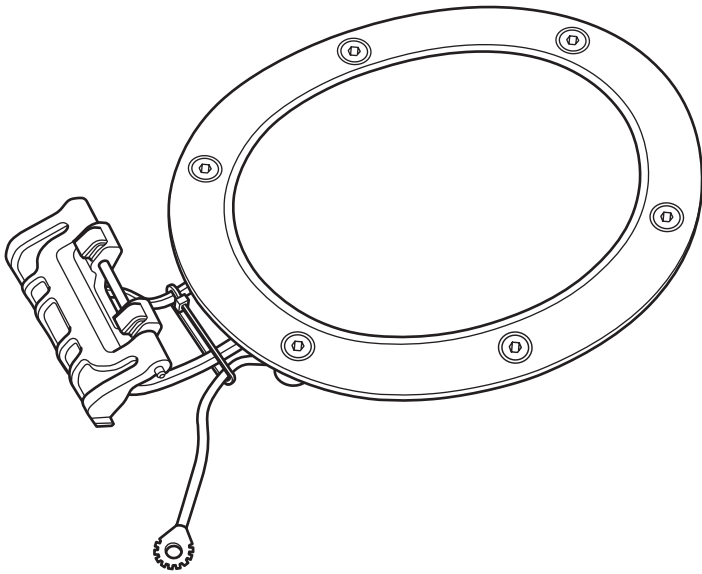
2 Removal of OEM Fuel Door

1. Using a 8mm socket wrench with extension, remove the two bolts holding on the fuel door. Remove OEM door.
2. Carefully set OEM door and bolts aside.
3. Use a clean rag to clean the fuel door pocket.



3 Remove Fuel Door Assembly from Package

1. Carefully remove the fuel door assembly and two bolts from bubble wrap and box.
2. Place on soft cloth.

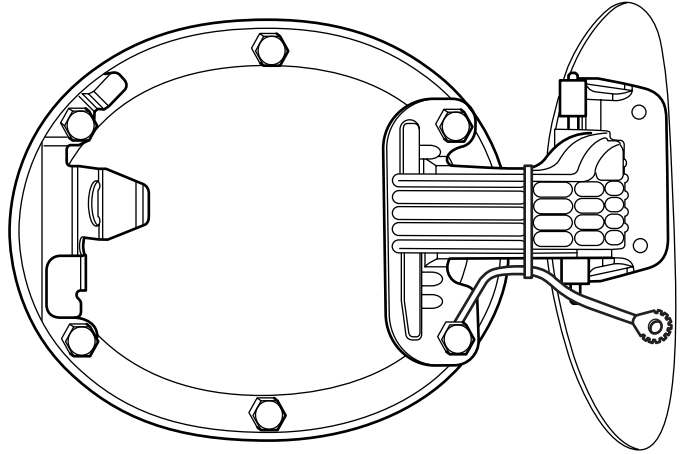


4 Attaching the Fuel Door

1. Insert one of the supplied bolts in the top hole of the hinge. Attach second bolt through ground wire terminal and insert bolt with terminal to the bottom hinge opening.
2. With the door open (filling position) carefully position the fuel door assembly into place.

CAUTION: USE CARE NOT TO DROP THE BOLT.

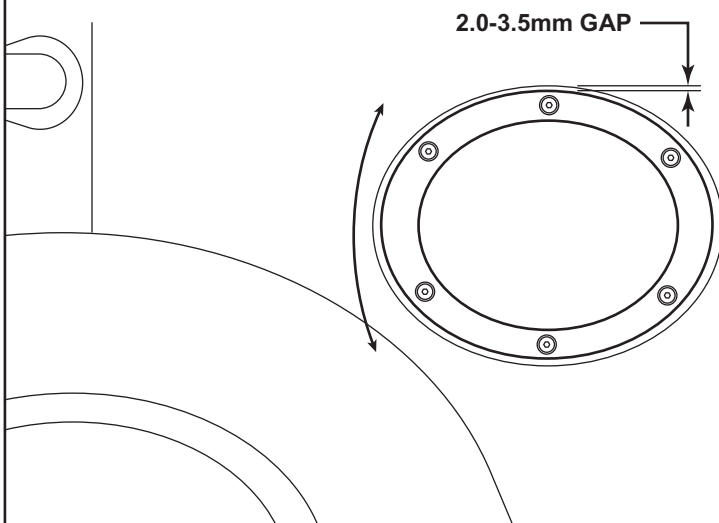
3. Using the 8mm socket wrench with the extension, hand tighten both screws.



5 Alignment

1. Position the hinge so that once tightened the fuel door assembly will be located evenly in vehicle sheet metal. Once adjusted properly, torque the bolts to 34.6-52.2 in.-lbs.

NOTE: GAP SHOULD BE BETWEEN 2.0-3.5mm.



6 Final Assembly

1. Remove rag from gas filler pipe and slip filler neck collar in. Place rag back in to prevent screws from falling into filler pipe.
2. Using the filler neck screws removed in step #1, use the 8mm socket and socket wrench. Torque to 15 in.-lbs.
3. Remove rag. Install gas cap tightly, minimum of (3) turns.
4. Remove masking tape from paint surface.

7 Final Inspection

1. Check for proper function of:
 - a. Fuel door lock release.
 - b. Opening and closing of fuel door.
 - c. Measure gap between fuel door and sheet metal to be between 2.0-3.5mm.
2. Use a soap and water solution with a soft towel to wipe any fingerprints and grease away from the fuel door and car's paint.
3. Place OEM door and bolts in box and provide to customer.